

Project: \_\_\_\_\_

Fixture Type: \_\_\_\_\_

Location: \_\_\_\_\_

Contact/Phone: \_\_\_\_\_

LJKT404A-3CCT is 4 inch LED AC Version Disc light for square and octagonal 4 inch J-Box. The simple design with the built-in driver has a minimum of installation procedures. This LED Disc light is CCT adjustable. It makes the installation easier and faster than other types of Disc lights.

## DESCRIPTION

- Aluminum body dissipates heat from the LED board.
- 4 different colors for trim White, Black, Bronze, Satin Nickel.
- Use 3 CCT selectable switch on the LED chip.
- Fast and easy installation.

## LED LIGHT ENGINE

- Dimming down to 0% with most dimmers.
- Suitable for operation in ambient not exceeding 40 °C
- Available in CCT 2700K, 3000K, 3500K, 4000K, 4500K and 5000K
- CRI of ≥80 or ≥90
- Long life LED chips guaranteed up to 50,000 hours.

## WARRANTY

Guaranteed five years from the purchase date of the products, against mechanical defects in manufacturing.

## LISTINGS

- c-ULus listed
- c-ULus classified
- Energy star qualified
- Wet locations (Not suitable for coastal/salt water area)
- Damp locations
- RoHS compliances
- Tested in accordance with IESNA LM79 & LM80

## PERFORMANCE DATA

Input Voltage	120V		
Input Power	12W		
Frequency	60Hz		
C R I	90		
T Ambient	-30 °C ~ 40 °C (-22 °F ~ 104 °F)		
C C T	3000 K	4000 K	5000 K
Lumens	750 lm	810 lm	820 lm

(all values at 25°C without a dimming control in circuit)

## ACCESSORY KIT

Basic Accessories for J-Box Installation

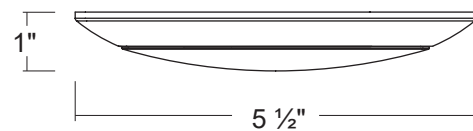


## LJKT404A-3CCT

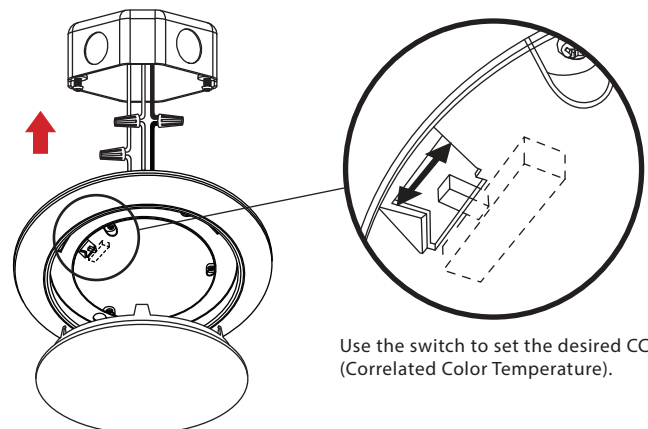
4" LED Disc Light / AC Version 3 CCT



## DIMENSIONS / INSTALLATION



### J - Box Installation



Use the switch to set the desired CCT (Correlated Color Temperature).

## PRODUCT CODES

Model NO.	Description
LJKT404A-W-3CCT	4" LED Disc Light / AC Version / White / 3 CCT
LJKT404A-B-3CCT	4" LED Disc Light / AC Version / Black / 3 CCT
LJKT404A-SN-3CCT	4" LED Disc Light / AC Version / Satin Nickel / 3 CCT
LJKT404A-BZ-3CCT	4" LED Disc Light / AC Version / Bronze / 3 CCT
LJKT40ACRY	Accessories for mounting on recessed can

### List of Triac Dimmer Switch

Mfr	Model #	Dimming Rate
Lutron	TGCL-153P	0 - 90%
Lutron	CTCL-153P	0 - 90%
Lutron	CT-600P	0 - 90%
Lutron	S-600H-WH	0 - 85%
Leviton	IPL06	0 - 90%
Leviton	NO. 6674	0 - 90%
EATON	NO. SAL06P	0 - 90%